



Bridge Command Controller

The Bridge Command controller provides intuitive function selection for up to (6) AWM Series Monitors in addition to single or multiple display dimming. The responsive touch keypad buttons are "red" LED backlit for enhanced night time viewing.

Main Features

- Controls Up To (6) AWM Series Monitors
- Brightness Control Knob (Dim to Black)
- Intuitive Display Control Functions
- Red LED Backlit For Night Viewing
- 10-30V DC input
- IP-65 Waterproof Front

Application:

- Marine

Specifications

Mechanical

IP Rating

- Fascial waterproof to IP65 standards when console mounted.

Construction

- Rugged Aluminum Alloy Chassis

Mounting

- Panel Mount

Dimension

- 186mm (W) x 100mm (H) x 40.5mm (D)
- 7.3in (W) x 4in (H) x 1.6in (D)

Net Weight

- TBD

Power

Voltage

- Operates on 12V and 24V systems

Power Consumption

- TBD

Environmental

Operating Temperature

- -10°C~60°C (14°F~140°F)

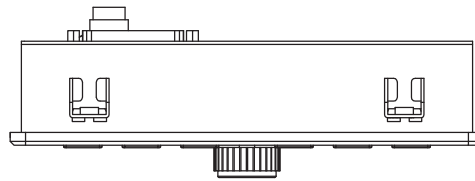
Non-Operating Temperature

- -20°C~60°C (-4°F~158°F)

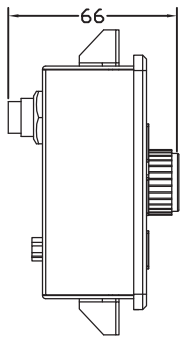
Certification

- Designed to meet FCC Class A and IEC 60 945 specifications

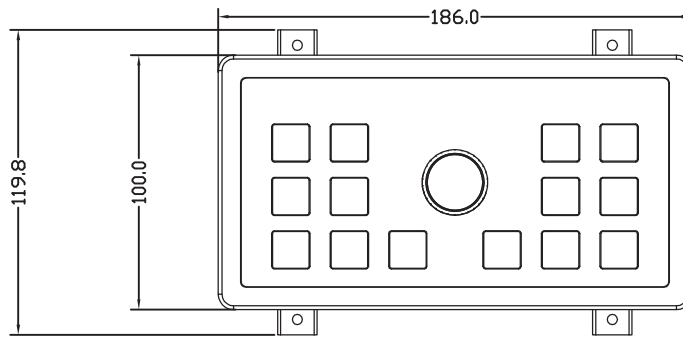
Specifications are subject to change without notice.



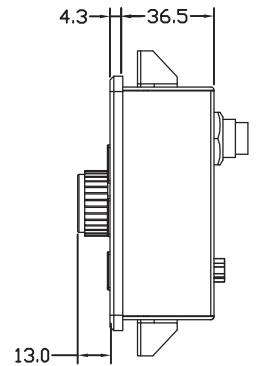
Top View



Left Side View



Front View

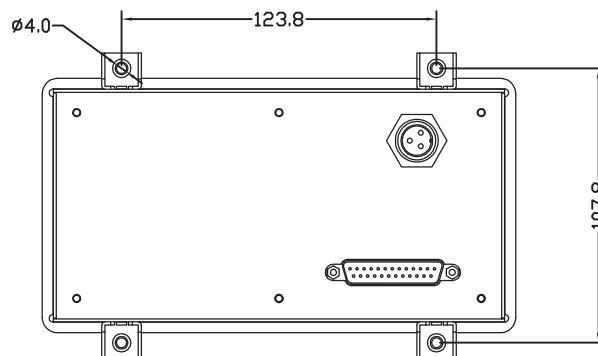


Right Side View



Bottom View

Unit: mm



Rear View